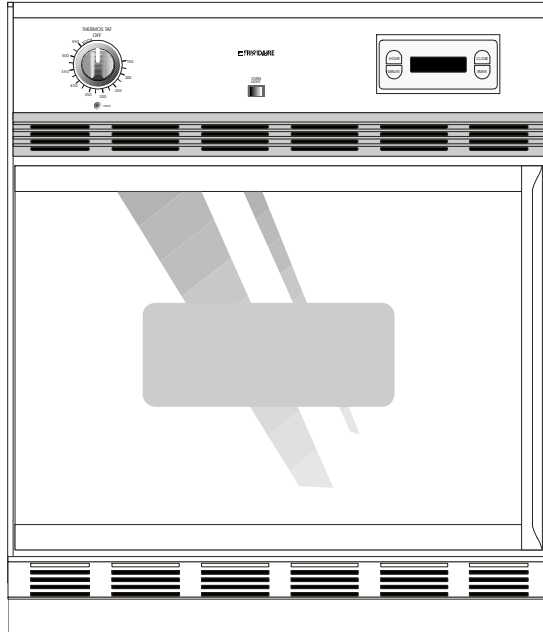


# FACTORY PARTS CATALOG ELECTRIC WALL OVEN

# FRIGIDAIRE



PRODUCT NO.	FACTORY NO.	COLOR	MARKET
FEB702CESF	38254712D6216	WHITE	U.S.A.
FEB702CESG	38254712D6217	WHITE	U.S.A.
FEB702CEBF	38254712D6266	BLACK	U.S.A.
FEB702CEBG	38254712D6267	BLACK	U.S.A.

WIRING DIAGRAM MODELS #- 318046004  
OWNER'S GUIDE MODELS #- 318094003  
INSTALLATION INSTR. # - 318128601

**GAS WALL OVEN**

 **FRIGIDAIRE**  
**HOME PRODUCTS**

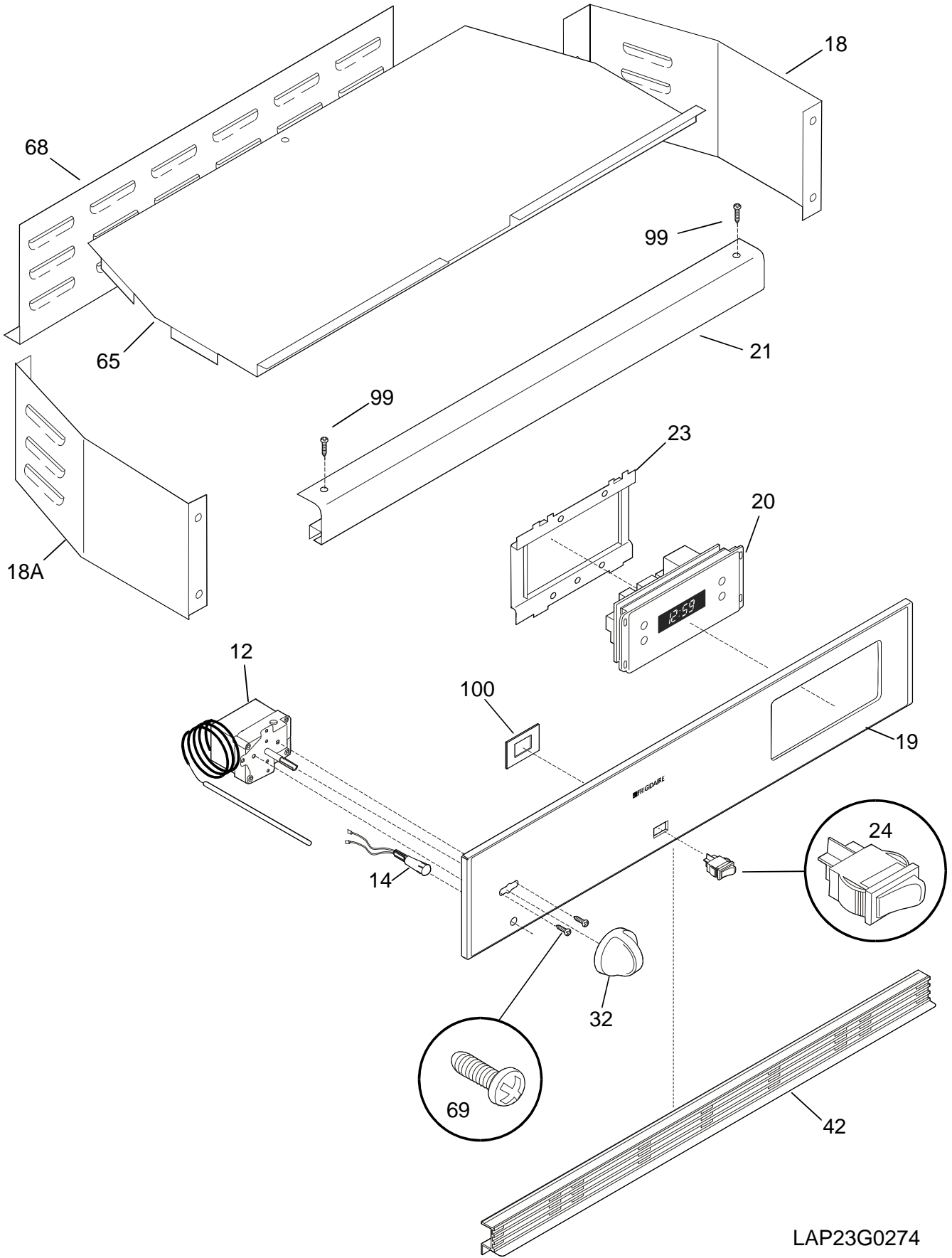
FRIGIDAIRE HOME PRODUCTS  
7075 ORDAN DRIVE  
MISSISSAUGA, ONTARIO  
CANADA, L5T 1K6  
TEL: (905) 565-9200

**Model No.**  
**FEB702CE**

Publication No.  
5995315867

981210  
-EN/SERVICE  
377

©1998 White Consolidated Industries, Inc.  
All rights reserved

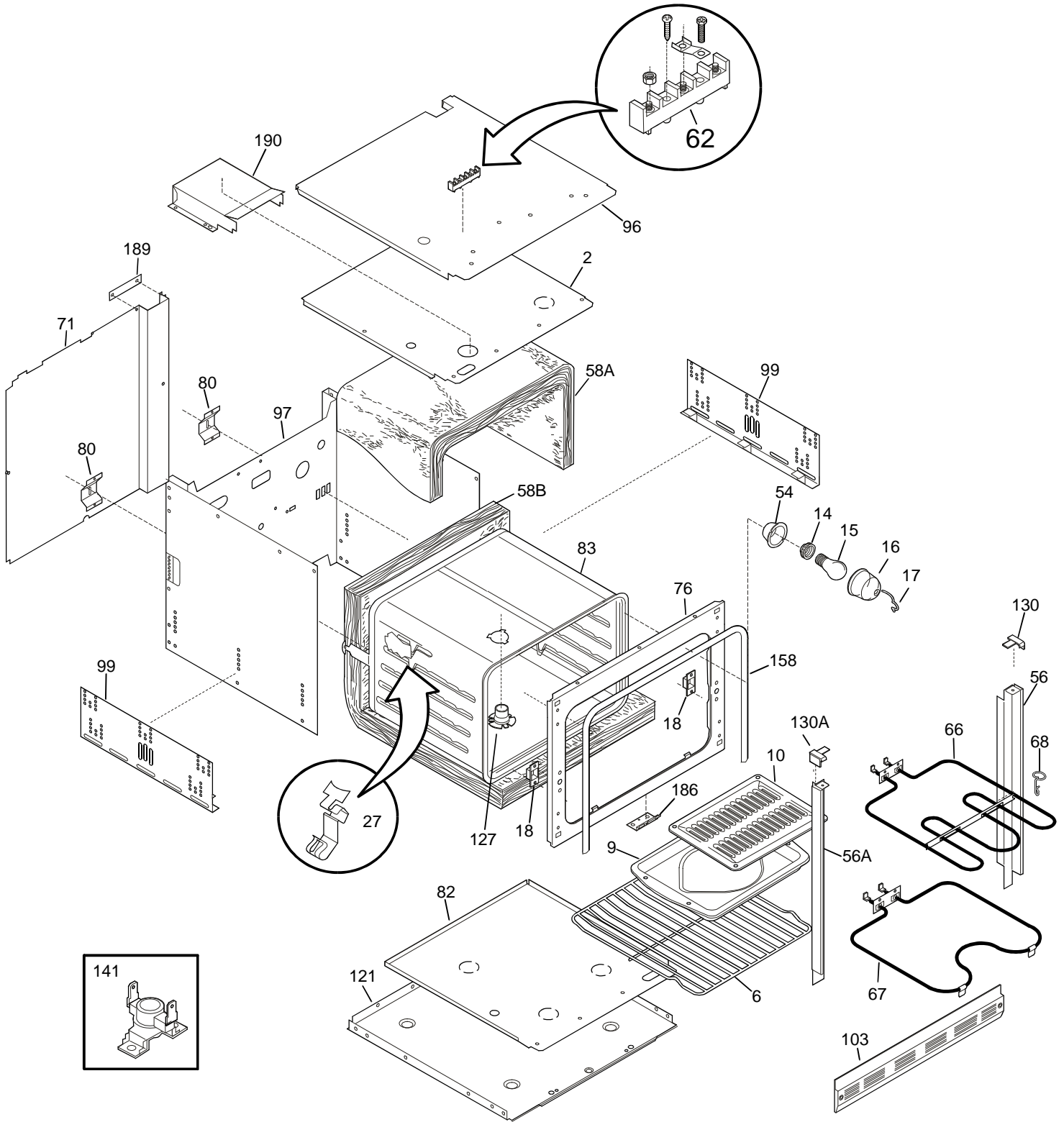


LAP23G0274

## CONTROL PANEL

A = FEB702CE (FEB702CESF)
B = FEB702CE (FEB702CESG)
C = FEB702CE (FEB702CEBF)
D = FEB702CE (FEB702CEBG)

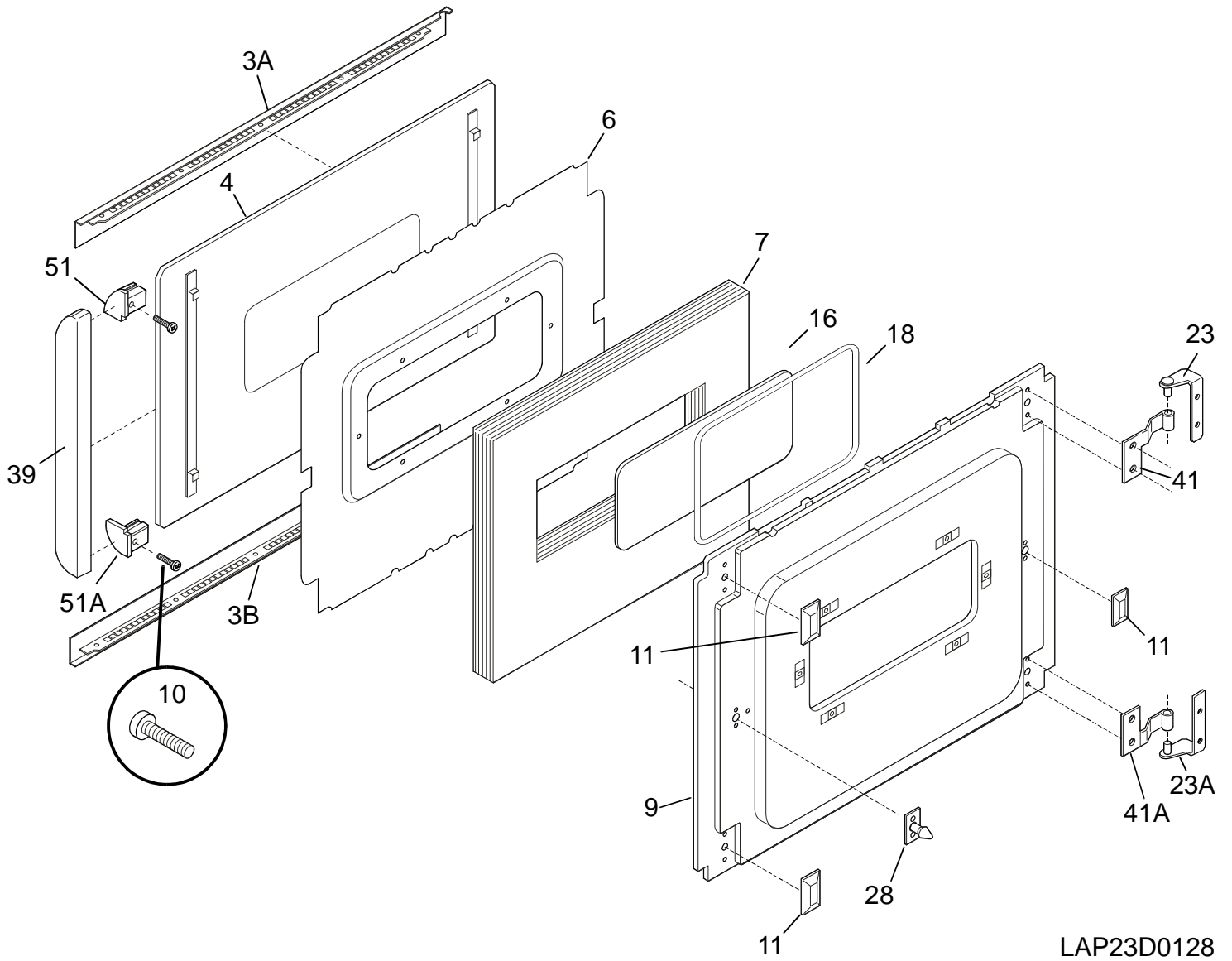
POS. NO	PART NO	A	B	C	D	DESCRIPTION
12 #	318058300	A	B	C	D	Thermostat-oven
14	5303320424	A	B	C	D	Light/Lamp
18	5303302377	A	B	C	D	End Cap RH
18 A	5303302378	A	B	C	D	End Cap LH
19	318129602	A	B			Panel-control white
19	318129603			C	D	Panel-control black
20 #	318011919	A				Clock/Timer
20#	318013907		B			Clock/Timer
20 #	318011918			C		Clock/Timer
20#	318013908				D	Clock/Timer
21	5303299529	A	B			Trim-canopy white
21	318027900			C	D	Trim-canopy black
23	318015720	A		C		Bracket
23	318015721		B		D	Bracket
24 #	316005607	A	B			Switch-rocker white
24 #	316005602			C	D	Switch-rocker black
32	318017206	A	B			Knob-thermostat white
32	318017205			C	D	Knob-thermostat black
42	318026908	A	B	-	-	Trim-vent white
42	318026906	-	-	C	D	Trim-vent black
65	5304401696	A	B	C	D	Cover-control housing
68	5303302376	A	B	C	D	Housing control
69	5303323134	A	B	C	D	Screw 8-32 X 3/16
99	5303320683	A	B			Screw, 6-20 X 3/8 (white)
99	5303307406			C	D	Screw, 6-32 X 3/8 (black)
100	318112200	A	B	C	D	Plate switch mtg
*	5303308458	A	B	C	D	Screw 10-24 X 1/4
*	5303211311	A	B	C	D	Screw #8 X 1/2
*	3201861	A	B	C	D	Screw, 6 X 3/8



LAP23V0074C

A = FEB702CE (FEB702CESF)  
B = FEB702CE (FEB702CESG)  
C = FEB702CE (FEB702CEBF)  
D = FEB702CE (FEB702CEBG)

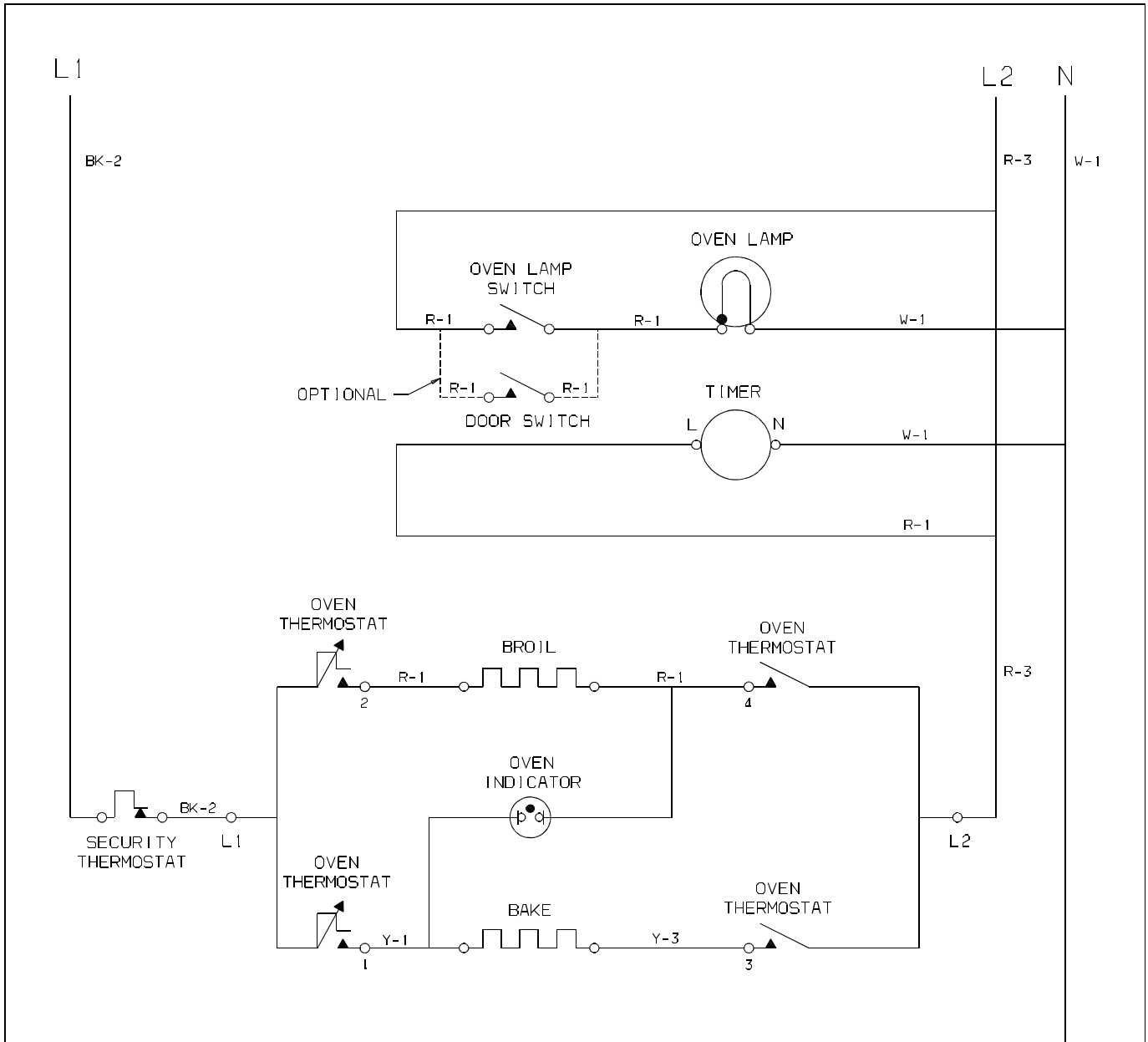
POS. NO	PART NO		DESCRIPTION
2	5303304699	A B C D	Shield oven-top
6	5303299719	A B C D	Rack-oven
9	5303317977	A B C D	Pan-broiler
10	5303317976	A B C D	Insert broiler pan
14	5308011085	A B C D	Socket-light/lamp
15	3201908	A B C D	Lamp-oven light
16	3201911	A B C D	Glass-oven light lens
17	5304400195	A B C D	Retainer-lens
18	318090300	A B C D	Latch-door
27	5303284616	A B C D	Clip thermo-bulb
54	5303310514	A B C D	Housing-oven light
56	318034104	A B	Trim-bodyside white
56	318034102	C D	Trim-bodyside black
56A	318034105	A B	Trim-bodyside white
56A	318034103	C D	Trim-bodyside black
58A	5303304702	A B C D	Insulation oven wrapper
58B	5303299688	A B C D	Insulation oven back
62#	5303310518	A B C D	Terminal block
66#	5303322963	A B C D	Element-broil
67#	5303299718	A B C D	Element-bake
68	5304403015	A B C D	Support-element
71	5303304701	A B C D	Shield-wire
76	318056107	A B C D	Front-oven
80	5303301261	A B C D	Spring-oven
82	5303304699	A B C D	Shield-insulation
83	318089511	A B C D	Liner-oven assy
96	5303316975	A B C D	Wrapper top
97	318066701	A B C D	Wrapper-back side
99	5303299686	A B C D	Support-adjustable
103	5303316903	A B	Trim-base white
103	5303316773	C D	Trim-base black
121	318145002	A B C D	Wrapper-base
127	318072800	A B C D	Adapter assy
130	5303299671	A B	End cap trim white RH
130	5303299674	C D	End cap trim black RH
130A	5303299672	A B	End cap trim white LH
130A	5303299673	C D	End cap trim black LH
141#	5303299721	A B C D	Thermostat safety
158	318053310	A B C D	Seal-oven door
186	318039502	A B	Bracket-trim base
186	318039501	C D	Bracket-trim base
189	318042500	A B C D	Retainer plate
190	5303299666	A B C D	Duct oven vent
*	5303320489	A B C D	Plug
*	3201861	A B C D	Screw, 6 X 3/8
*	08002868	A B C D	Screw, 10-24 X 1/2
*	5303211311	A B C D	Screw, #8 X 1/2
*#	5303319468	A B C D	Box & wires assy



LAP23D0128

A = FEB702CE (FEB702CESF)  
 B = FEB702CE (FEB702CESG)  
 C = FEB702CE (FEB702CEBF)  
 D = FEB702CE (FEB702CEBG)

POS. NO	PART NO		DESCRIPTION
3A	5303299730	A B	Trim-oven door white
3A	5303299732	C D	Trim-oven door black
3B	5303299731	A B	Trim-oven door white
3B	5303299733	C D	Trim-oven door black
4	5303299728	A B	Glass-oven door white
4	5303299729	C D	Glass-oven door black
6	5303316954	A B C D	Shield-insulation
7	5303302388	A B C D	Insulation
9	5303320491	A B C D	Liner-oven door
10	5303307980	A B C D	Screw-handle 8-32 X 7/16
11	5303320493	A B C D	Cover-hinge cutout
16	5303210001	A B C D	Glass-oven door
18	5303299723	A B C D	Seal-rope
23	5303299712	A B C D	Hinge-oven door
23A	5303299711	A B C D	Hinge-oven door
28	318090220	A B C D	Strike-door
39	5303299726	A B	Handle-door white
39	5303299727	C D	Handle-door black
41	5303299746	A B C D	Hinge-oven door upper
41A	5303299744	A B C D	Hinge-oven door lower
51	5303299738	A B	Bracket handle mtg white
51	5303299740	C D	Bracket handle mtg black
51A	5303299739	A B	Bracket handle mtg white
51A	5303299741	C D	Bracket handle mtg black
*	5303300265	A B C D	Screw, 8-18 X 1/2
*	5303311333	A B C D	Screw, 8-32 X 3/8
*	5303323277	A B C D	Screw, 8-18 X 13/32



**NOTE:**

OVEN CONDITION:  
ALL CONTROL SET TO "OFF"  
OVEN DOOR CLOSED.

**IMPORTANT:**

COPPER WIRE MUST BE USED FOR  
CONNECTIONS TO CONDUIT WIRE.

**WARNING**  
DISCONNECT POWER  
BEFORE SERVICING UNIT

**TRACER WIRE:**  
WIRE COLOR NOTED FIRST, STRIPE NEXT.  
EXAMPLE:  
RED WIRE WITH WHITE STRIPE.  
R/W - 10  
COLOR WIRE NO.

COLOR CODE			
BK	BLACK	P	PINK
BL	BLUE	PR	PURPLE
BR	BROWN	R	RED
C	COPPER	T	TAN
G	GREEN	V	VIOLET
GY	GRAY	W	WHITE
O	ORANGE	Y	YELLOW

WIRE	GAGE	TEMP°C	UL STYLE	CSA STYLE	CONTACTS	4 POSITIONS SELECTOR SWITCH			
						INDICATED DIAL POSITION			
						OFF	PREHEAT	BAKE	BROIL
4	18	150	3321	EXL-150	L1-1	0	X	CY	X
3	14	150	3321	EXL-150	L1-2	0	X	O	CY
2	14	200	3122	SEW-1	L2-3	0	X	X	O
1	16	150	3321	EXL-150	L2-4	0	X	X	X

**LEGEND**  
X = CLOSED  
O = OPEN  
CY = CYCLING

318046004 Rev. B